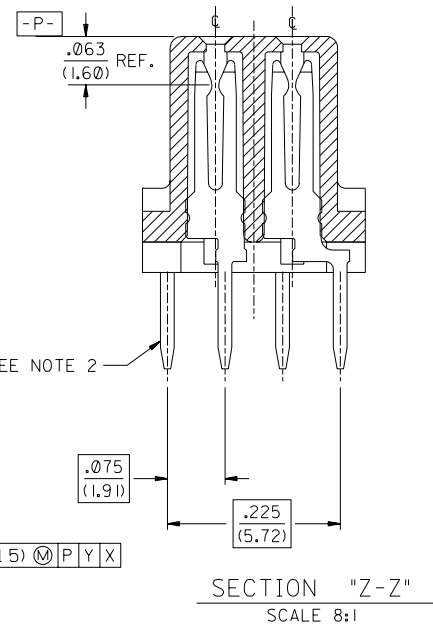


73631-30** SERIES



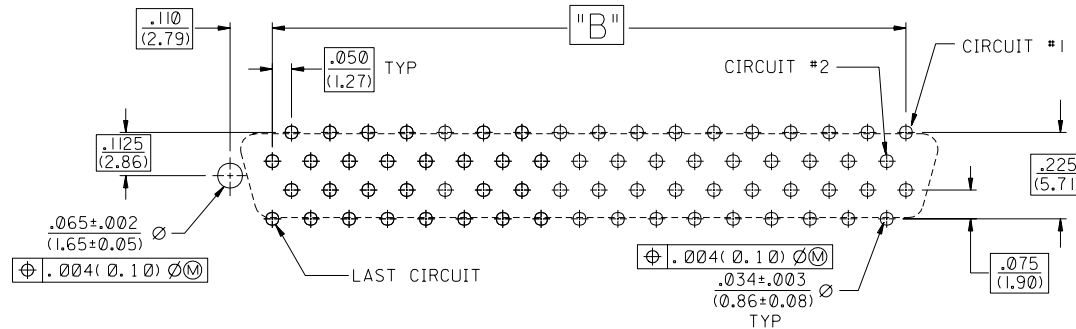
PIN WINDOW DETAIL
SCALE 10:1

GENERAL NOTES:

1. SEE SHEET 2 FOR ITEM NO'S, CHARTED DIMENSIONS, PACKAGING, MATERIAL SPEC'S AND P.C. BOARD LAYOUT FOR SERIES 73631-30**.
2. TAIL PATTERN FIXED AT CIRCUIT NO. (1) POSITION FOR ALL CIRCUIT SIZES LISTED IN CHARTS FOR ALL SERIES.
3. FOR SERIES 73631-31** REFER TO SHEETS 3 AND 4.

OBSOLETE PART # G	REV	DESCRIPTION	QUALITY SYMBOLS	GENERAL TOLERANCES: (UNLESS SPECIFIED)		SCALE 4 : 1	DESIGN UNITS <input type="checkbox"/> mm <input checked="" type="checkbox"/> INCH	THIRD ANGLE PROJECTION <input type="checkbox"/> mm ONLY <input checked="" type="checkbox"/> INCH ONLY	DIMENSIONS:		SHT 4	REV G
				mm	INCH				mm	INCH		
EC NO. UCP2005-0311		DRAWN BY & DATE J. Long 96/11/13		4 PLACES ±0. ±.		DRAWN BY & DATE J. Long 96/11/13		TITLE: SALES ASSEMBLY SCSI VERTICAL RECEPTACLE W/LATCHES & POLZTN PEG				
CHK: BBARKER 04/08/06		CHECKED BY & DATE J. Long 96/11/14		3 PLACES ±0. ±.005		APPROVED BY & DATE BRINKMAN 96/11/15		MATERIAL NO. SEE SH'T 2				
APPR: SMILLER 04/08/06		DRAWN BY & DATE BRINKMAN 96/11/15		2 PLACES ±0.0.13 ±.		DRAWING NO. SD-73631-006		SHEET NO. 1 OF 4				
		ANGULAR: ± 1/2°		1 PLACE ±0. ±.		CAD FILENAME S7363131.DGN		SIZE C				
DRAFT WHERE APPLICABLE MUST REMAIN WITHIN DIMENSIONS				THIS DRAWING CONTAINS INFORMATION THAT IS PROPRIETARY TO MOLEX INCORPORATED AND SHOULD NOT BE USED WITHOUT WRITTEN PERMISSION.								

MATERIAL NO.	CIRCUIT SIZE	DIM. A		DIM. B		DIM. D		DIM. P		RECOMMENDED PCB	
		INCH	MM	INCH	MM	INCH	MM	INCH	MM	INCH	MM
73631-3002	68	2.115	53.72	1.650	41.91	1.816	46.13	.125	3.18	.062 OR .093	1.57 OR 2.36
73631-3022	68	2.115	53.72	1.650	41.91	1.816	46.13	.125	3.18	.062 OR .093	1.57 OR 2.36



TYPE I 68 CIRCUIT PC BOARD LAYOUT
CONNECTOR SIDE

NOTES:

- MATERIAL:
RECEPTACLE HOUSING: GLASS FILLED LIQUID CRYSTAL POLYMER;
COLOR: BLACK; UL 94V-0
TERMINALS: PHOSPHOR BRONZE
- FINISH:
TERMINALS: SEE LIST BELOW
- REFER TO PS-79058 PRODUCT SPEC. FOR ELECTRICAL, MECHANICAL AND ENVIRONMENTAL SPECIFICATIONS.
- PACKAGING:
PARTS PACKAGED IN TUBES PER PK-70873-0427.

TERMINAL FINISH:

SELECTIVE GOLD: THICKNESS= 30 MICROINCHES/(0.76 MICROMETERS) MINIMUM.
SELECTIVE TIN: THICKNESS= 75 MICROINCHES/(1.90 MICROMETERS) MINIMUM.
NICKEL UNDERPLATE OVERALL.

NOTE FOR LEAD FREE CONVERSION:
THE PRIMARY SHIPPING CARTON WILL BE LABELED "COMPLIANT TO ROHS DIRECTIVE 2002/95/EC AND ELV ANNEX II OF DIRECTIVE 2000/53/EC". CARTONS WITHOUT THIS LABEL MAY CONTAIN PRODUCT WITH LEAD.

73631-30** SERIES

REV	DESCRIPTION	QUALITY SYMBOLS	GENERAL TOLERANCES: (UNLESS SPECIFIED)		SCALE 4:1	DESIGN UNITS <input type="checkbox"/> mm <input checked="" type="checkbox"/> INCH	DIMENSIONS:			SHT	REV	
			mm	INCH			mm	INCH	mm ONLY			
G	OBsolete PART # EC No. UCP2005-0311 DRAWN: BSMART 04/08/06 CHK: BBARKER 04/08/06 APPR: SMILLER 04/08/06	MAJOR ▽=0 CRITICAL ▽/C=0	4 PLACES	±0. ±.			THIRD ANGLE PROJECTION	<input type="checkbox"/> mm <input checked="" type="checkbox"/> INCH	<input type="checkbox"/> mm <input type="checkbox"/> INCH			REVISE ON CAD ONLY
			3 PLACES	±0. ±.005	DRAWN BY & DATE <i>J. Long</i> 96/11/13		TITLE: SALES ASSEMBLY SCSI VERTICAL RECEPTACLE W/LATCHES & POLZTN PEG					
			2 PLACES	±0.13 ±.	CHECKED BY & DATE <i>J. Long</i> 96/11/14		MATERIAL NO. SEE CHART					
			1 PLACE	±0. ±.	APPROVED BY & DATE BRINKMAN 96/11/15		DRAWING NO. SD-73631-006					
			ANGULAR: ± 1/2°		CAD FILENAME S7363132 .DGN		SHEET NO. 2					
DRAFT WHERE APPLICABLE MUST REMAIN WITHIN DIMENSIONS			THIS DRAWING CONTAINS INFORMATION THAT IS PROPRIETARY TO MOLEX INCORPORATED AND SHOULD NOT BE USED WITHOUT WRITTEN PERMISSION.									SIZE C